

# SPIRIT®

Wood Back

## Elegant Styling, Superior Comfort.

A rich wood aesthetic for upscale performance.

Two back heights, 33½" and 35½", provide alternatives for standard and luxury seating.

Back angle can be adjusted 16° to 24° and synchronizes with seat, keeping the user in optimum ergonomic position.



Surfaces are easy to clean.

Six chair widths from 19" to 24" offer application versatility.

Reinforced engineered copolymer seat is dent-resistant.

Reinforced engineered copolymer seat and back inner structure adds strength and durability.

Self-rising gravity lift seat eliminates mechanical lifting devices.

**Spirit** can turn curved rows down to an 8' radius and is available for both floor and riser mount applications.

Cast iron standards dampen vibration.

Spherical bearings compensate for irregularities in floors and risers.



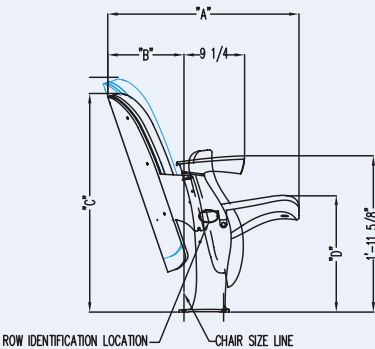
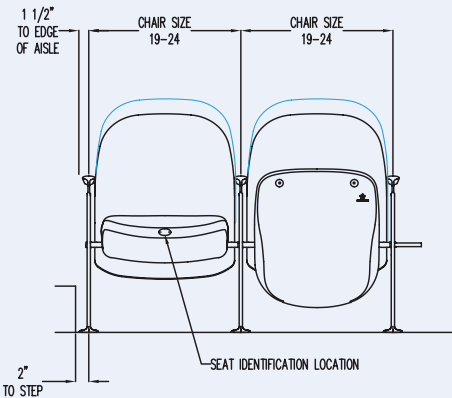
*Spirit's* ergonomic, contour-molded foam seat provides enhanced lumbar support. Incorporating new technology, materials and design, *Spirit* also provides cost-effective ownership. The chair is less expensive to purchase, install and is virtually maintenance free.

**Features**

- Chair widths from 19" to 24"
- Back heights of 33½" and 35½"
- Back angle moves 16° to 24° and is synchronized with the seat, keeping the user in optimum ergonomic position.
- Rich wood back panel, aisle end treatments and armcaps available in 7 finish options.
- Reinforced engineered copolymer seat inner structure adds strength and durability.
- Engineered copolymer outer seat is dent- and mar-resistant.
- Self-rising gravity lift seat has spherical bearings to eliminate springs.
- Spherical bearings compensate for irregularities in floors and risers.
- Cast iron standards dampen vibration between chairs.

**Options**

- Cup holders
- Seat and row identification
- Aisle lighting
- Three-quarter-fold seat
- Tablet arms
- A.D.A. compliance
- CAL 133 compliance



LOW BACK with LEVEL STANDARD				
BACK PITCH	DIM."A"	DIM."B"	DIM."C"	DIM."D"
13	24 7/8	9 1/2	34 1/4	17
16	27 7/8	10 1/2	33 5/8	17 3/8
19	29	11 1/2	33 1/8	17 5/8
21	30	12 5/8	32 1/2	17 7/8

HIGH BACK with LEVEL STANDARD				
BACK PITCH	DIM."A"	DIM."B"	DIM."C"	DIM."D"
13	27 3/8	9 7/8	36 3/8	17 3/8
16	28 1/2	11 1/8	35 7/8	17 5/8
19	29 5/8	12 1/4	35 1/4	17 7/8
21	30 3/4	13 3/8	34 5/8	18 1/8



401 American Seating Center, Grand Rapids, MI 49504  
 PHONE (616) 732-6600 (800) 748-0268 FAX 616-732-6401  
 www.americans seating.com

